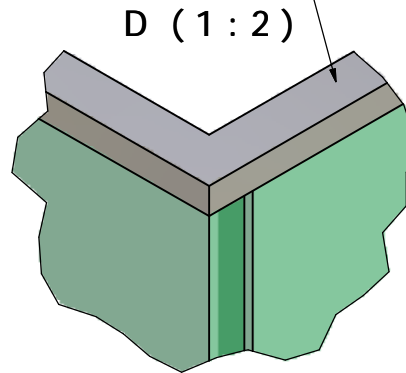
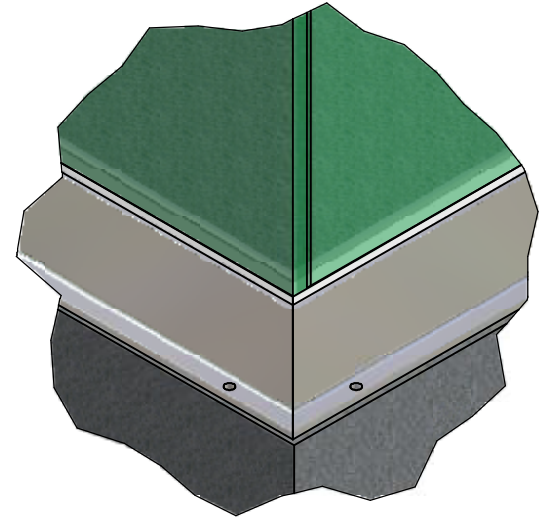


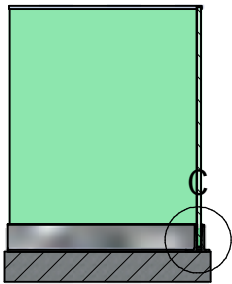
U-profiel 25x15x15



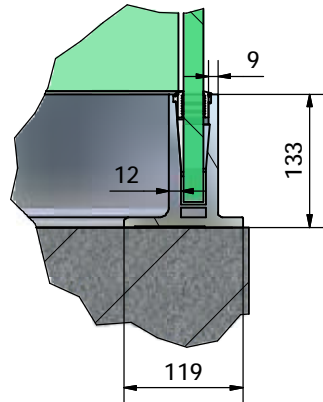
A (1 : 5)



B-B (1 : 25)



C (1 : 5)



Designed by RUDY	Checked by	Approved by	Date	Date 28/08/2009
ROGER LAMMERTYN NV			GLASBALUSTRADE MET KLEMPROFIEL	
			GLASBALUSTRADE	Sheet 1 / 1