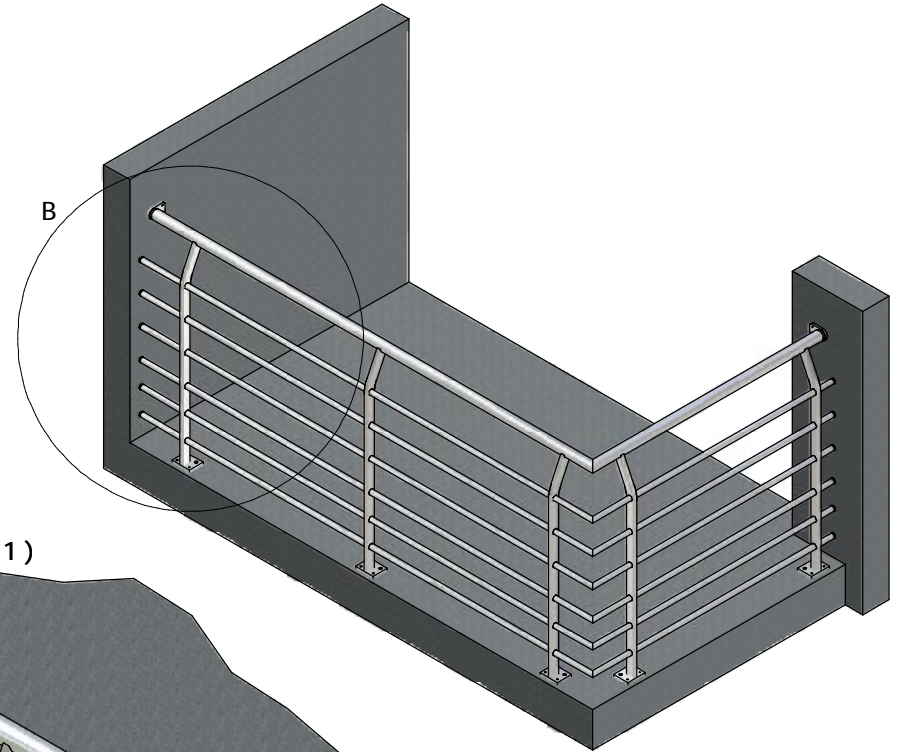
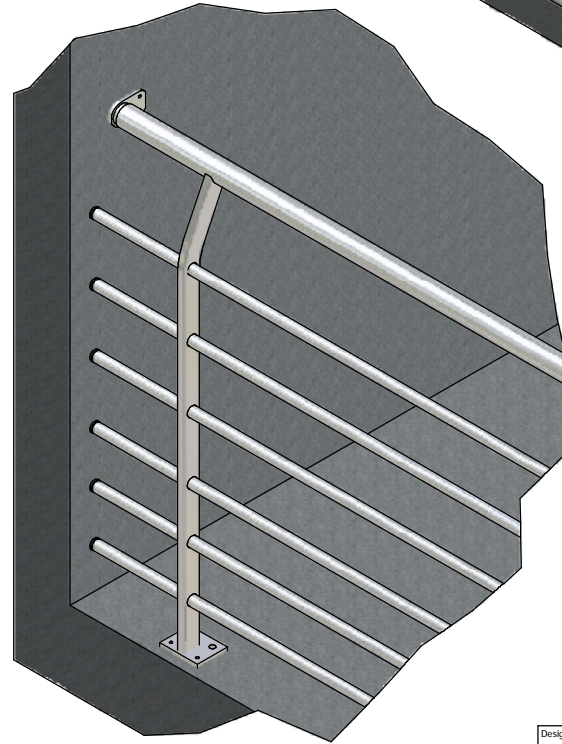


B (0.15 : 1)



Designed by RUDY	Checked by	Approved by	Date	Date 20/08/2010
ROGER LAMMERTYN NV			GS6	Edition Sheet 1 / 1